



**Safety System**

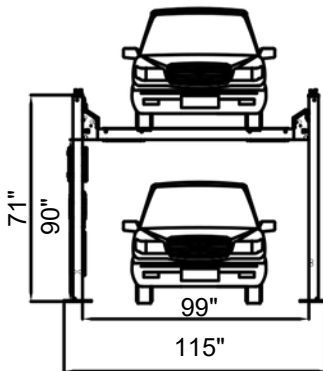
- 12 Full range anti-fall locks
- Limit switches
- Emergency stop button
- Anti-loosening locks

**APPLICATION SCENARIOS**

Vehicle Model	Sedan, SUV, regular pick-up truck
Foundation	C25-C30, thickness > 6 Inches
Ceiling Height	125 inches
Buildings	Residential or Storage
Environment	Indoor/Outdoor (Outdoor protection devices available)

**Features**

- Single hydraulic lifting cylinder direct drive
- Multiple parking heights
- 100% Laser cutting process for all parts and the whole structure
- Preassembled parts for easy installation and relocation
- Safety key switch controller
- Anti-skid ramp and platform
- Anti-rust smooth powder coating finish
- Enhanced anti-corrosion galvanized waving plates
- Customizable colors
- Lock release: Electrical
- 5-year warranty on parts, 1-year warranty on labor



PARAMETERS	
Model	4PSSW
Lifting Capacity	7,937 lbs
Vehicle Height	Up to 67 1/2"
Vehicle Width	Up to 94"
Vehicle Length	< 197"
Control Box	Integrated modules for simple wiring
Power Unit	1.2 kW Hydraulic
Electrical Requirements	120V, 1 phase

\*Most parameters can be customized based on your requirements.

