



Parameters	
Model	SAL-TT
Lifting Capacity	6613-22046 L.b
Diameter of the Table	117"- 177"
Turning Speed	2 circles/min
Drive Mode	Electric Motor
Control Box	Integrated Modules for Simple Wiring
Electrical Requirements	Voltage: Customizable; 1-phase or 3-phase; 230/1240v
Pump Servo Motor	4x120 W
Operation Mode	Button/Remote Control

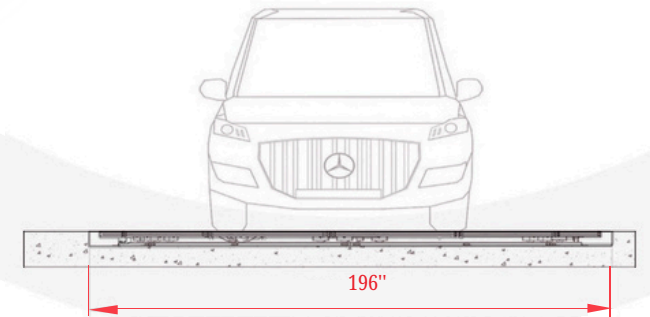
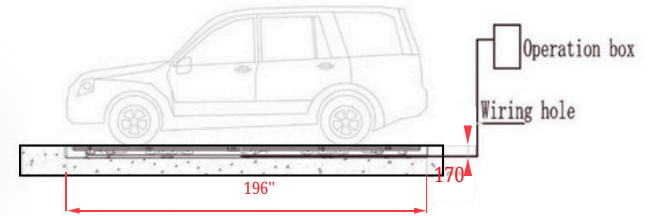
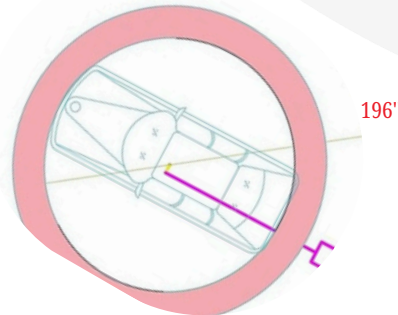
\*Most parameters can be customized based on your requirements.

## Features

- Servo Motors
- Relay Control
- Simple Installation
- Extremely Low Noise
- Safety and Reliability
- 360 Degree Rotation
- Powder Coating Finishing
- Suitable for Narrow Space
- Low-profile Equipment Design
- 5 year warranty parts, 1 year labor
- Customizable Plate Material and Rotating Speed

## Safety System

- Emergency stop button



Application Scenarios	
Vehicle Model	Sedan SUV
Application	Home Garage; Auto Exhibition; Car Display
Environment	Indoor/outdoor (Outdoor protection devices available)